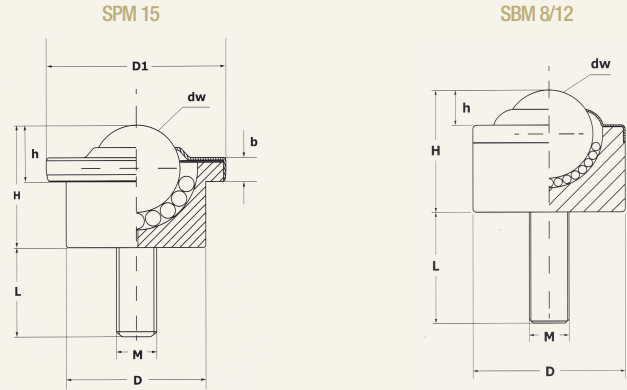


I SERIES "SBM" AND "SPM" +FL WITH THREADED NUT

SOLID MACHINED STEEL BODY WITH THREADED NUT WITHOUT FELT SEALING SYSTEM AND SELF CLEANING HOLE
 WORKING TEMPERATURE : -20°C +100 °C
 EXCEPT TYPES WITH MAIN BALL IN PLASTIC:
 WORKING TEMPERATURE 0° - 60° C
 STANDARD THREAD DIAMETER:
 SBM 8 = 6 mm, SBM 12 and SPM 15 = 8 mm
 STANDARD LENGTH: 15 mm
 POSSIBILITY TO SUPPLY WITH LENGTH BETWEEN 15-30 mm



TYPE	Features	Dw	D	Tol	D1	h	Tol	H	b	Kg		Kg
										Load Up	Load Down	
SBM 8 B-FL	ZINC PLATED MACHINED BODY AND STEEL BALLS	8	18	±0,08	-	2	±0,2	12	-	12	9	0,025
SBM 12 B-FL		12	22	±0,08	-	5	±0,2	17,5	-	20	15	0,045
SPM 15 B-FL		15	24	±0,08	31	9,5	±0,2	21	5,5	50	35	0,070
SBM 8 C-FL	ZINC PLATED MACHINED BODY AND STAINLESS STEEL BALLS AISI 420	8	18	±0,08	-	2	±0,2	12	-	10	7	0,025
SBM 12 C-FL		12	22	±0,08	-	5	±0,2	17,5	-	15	10	0,045
SPM 15 C-FL		15	24	±0,08	31	9,5	±0,2	21	5,5	40	25	0,070
SBM 8 SS-FL	STAINLESS STEEL BODY AND BALLS STAINLESS STEEL AISI 420	8	18	±0,08	-	2	±0,2	12	-	10	7	0,025
SBM 12 SS-FL		12	22	±0,08	-	5	±0,2	17,5	-	15	10	0,045
SPM 15 SS-FL		15	24	±0,08	31	9,5	±0,2	21	5,5	40	25	0,070
SBM 8 BD-FL	ZINC PLATED MACHINED BODY, MAIN BALL IN DELRIN(POM) AND STEEL BALLS	8	18	±0,08	-	2	±0,2	12	-	3	-	0,020
SBM 12 BD-FL		12	22	±0,08	-	5	±0,2	17,5	-	5	-	0,035
SPM 15 BD-FL		15	24	±0,08	31	9,5	±0,2	21	5,5	13	-	0,055
SBM 8 CD-FL	ZINC PLATED MACHINED BODY, MAIN BALL IN DELRIN(POM) AND SMALL BALLS IN STAINLESS STEEL BALLS AISI 420	8	18	±0,08	-	2	±0,2	12	-	3	-	0,020
SBM 12 CD-FL		12	22	±0,08	-	5	±0,2	17,5	-	5	-	0,035
SPM 15 CD-FL		15	24	±0,08	31	9,5	±0,2	21	5,5	13	-	0,055
SBM 8 SS CD-FL	ZINC PLATED MACHINED BODY, MAIN BALL IN DELRIN(POM) AND SMALL BALLS IN STAINLESS STEEL BALLS AISI 420	8	18	±0,08	-	2	±0,2	12	-	3	-	0,020
SBM 12 SS CD-FL		12	22	±0,08	-	5	±0,2	17,5	-	5	-	0,035
SPM 15 SS CD-FL		15	24	±0,08	31	9,5	±0,2	21	5,5	13	-	0,055

Load Up Load Down

