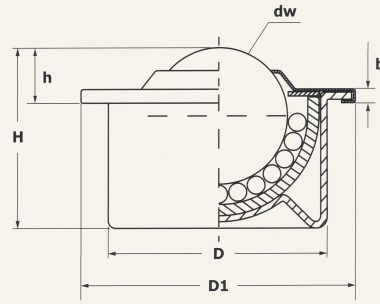


I SERIES "SPS" LIGHT DUTY WITH COLLAR AND MAIN BALL ALL IN PLASTIC

PRESSED STEEL BALL TRANSFER UNITS. WITH MAIN BALL IN POM-POLYACETAL (DELRIN). ZINC PLATED BODY, WITHOUT OILED FELT SEALING SYSTEM.
 NOT SUITABLE FOR REVERSE APPLICATION
 WORKING TEMPERATURE: 0°C ±60° C



TYPE	Features	Dw	D	Tol	D1	h	Tol	H	b	Kg Loading Capacity	Kg Weight
SPS 15 B-D	PRESSED ZINC PLATED BODY, MAIN BALL IN PLASTIC(DELRIN) AND STEEL BALLS	15	24	±0,08	31	9,5	±0,2	21	2,8	13	0,024
SPS 22 B-D		22	36	±0,08	45	9,8	±0,2	29,5	3,5	20	0,084
SPS 30 B-D		30	45	±0,1	55	13,8	±0,3	36,8	4	25	0,155
SPS 15 C-D	PRESSED ZINC PLATED BODY, MAIN BALL IN PLASTIC(DELRIN) , SMALL BALLS S.S.AISI 420	15	24	±0,08	31	9,5	±0,2	21	2,8	13	0,024
SPS 22 C-D		22	36	±0,08	45	9,8	±0,2	29,5	3,5	20	0,084
SPS 30 C-D		30	45	±0,1	55	13,8	±0,3	36,8	4	25	0,155
SPS 15 SS-CD	COMPLETELY S.S. BODY AISI 304 WITH S.S. BALL RACE AISI 420 , MAIN BALL IN PLASTIC (DELRIN) AND SMALL BALLS S.S. AISI 420	15	24	±0,08	31	9,5	±0,2	21	2,8	13	0,024
SPS 22 SS-CD		22	36	±0,08	45	9,8	±0,2	29,5	3,5	20	0,084



 Only Load Up